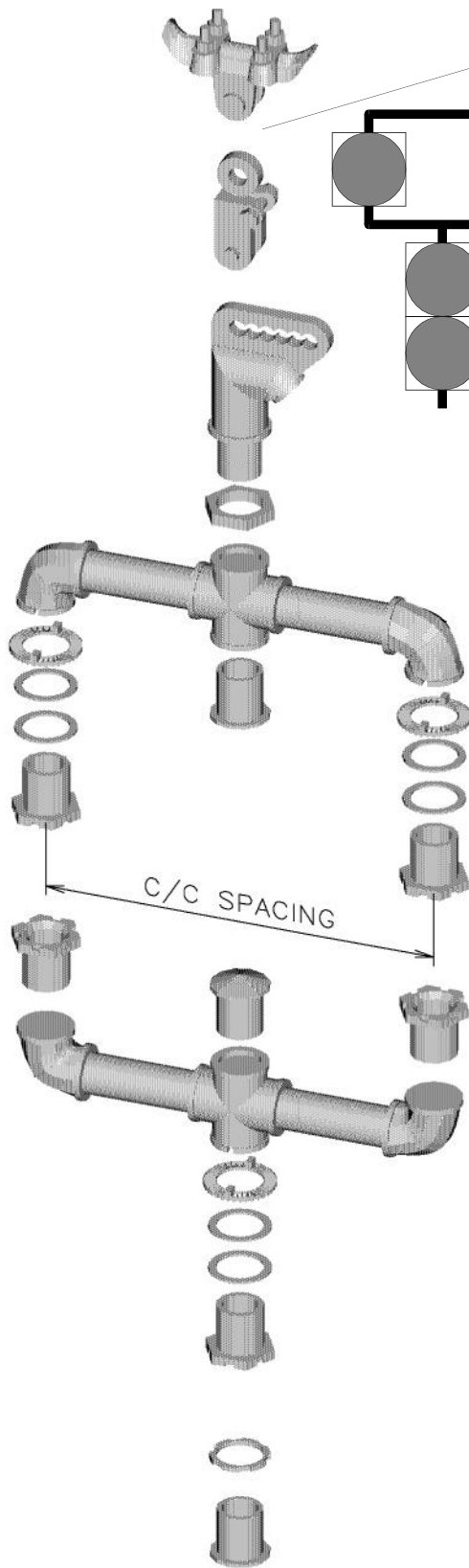


Span Wire Clusters

Style "A"

Style "B"

See Span Wire Drop-Tether section for drop tether options



Top

Middle

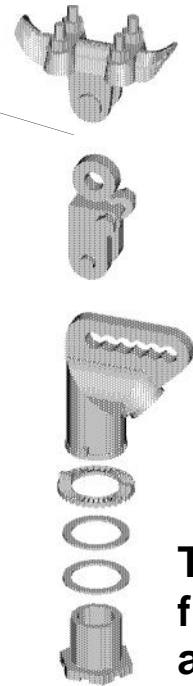
Bottom

Top Assembly

None

Middle Assembly

Bottom Assembly



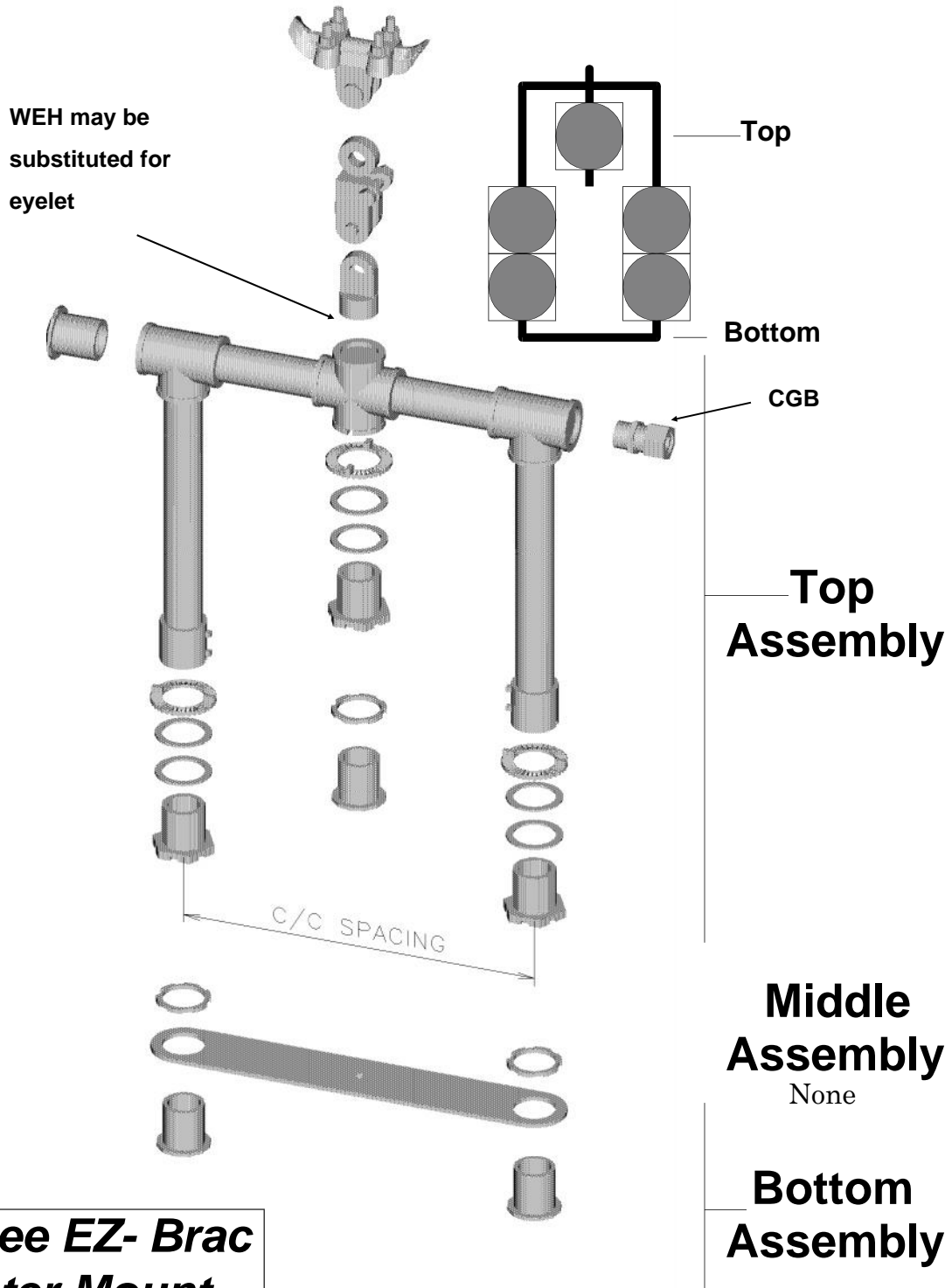
Tristud fittings available



C/C SPACING

Span Wire Clusters

Style "C"



Also see *EZ- Brac Cluster Mount*

Configuration

1. Basic Style

A="Dolly Parton"

B="Dog House"

C="Dog House 2"

Note: Consult Table for allowable combinations of Top,Middle,Bottom Configurations. ***Not all combinations are available.***

2-3. Top Configuration

00=None

01=Framework,Cross,w/Elbows

02=Framework,Cross,w/Tees

03=Framework,Cross,w/Crosses

04=Framework,Slip Hub,w/Elbows

34=Framework,Threaded Hub,w/Elbows

05=Framework,Slip Hub,w/Tees

35=Framework,Threaded Hub,w/Tees

06=Framework,Slip Hub,w/Crosses

36=Framework,Threaded Hub,w/Crosses

07=Framework,Cross,w/Tees,
balance adapter or WEH,
decorative cap closure

08=Same as 07 except with
plastic plug closure

09=Tri-Stud 2-Way Top (Casting)
(17"c/c only)

4-5. Middle Configuration

00=None

XX=Same Choices as

Top Configuration

6-7. Bottom Configuration

00=None

20=Flat Spanner,Steel,w/Closures

21=Flat Spanner,Alum,w/Closures

27=Flat Spanner,Alum,Tri-stud

28=Flat Spanner,Steel,Tri-stud

22=Framework,w/Elbows

23=Monostud 2 Way Bottom

24=Decorative Cap Closure, Alum

25=Plastic Plug

26=Molded Plastic Sealing Cap

8. Color

Y=Yellow B=Gloss Blk F=Flat Blk

G=Dk Grn L=Light Grn Z=Bronze

X=Special N=None (natural finish)

9. Material

(Hanger,Balance Adjuster,
Wire Entrance Head,Hub)

F=Iron

A=Aluminum

S=Aluminum w/SS bushings

B=Brass

10. Spacing

1=17" Center-to-Center
(8.5" radius)

2=21" Center-to-Center
(10.5" radius)

3=16.5" Center-to-Center
(8.25" radius)

X=Special

Options:

Traffic Parts, Inc.

Hanger Assembly

Note: For identification of these items, please refer to "Span Wire Framework Multiway"

11. Hanger

N=None

| | | | | | | | | |
|------------|--------------|----|-----|----|--------------|----|-----|----|
| Option#> | 1 | 2 | 3 | 4 | 5 | 6 | 7 | 8 |
| Size | 6" | 6" | 6" | 6" | 9" | 9" | 9" | 9" |
| Bolt Style | U | U | L | L | U | U | L | L |
| Hdw Matl | Plt | SS | Plt | SS | Plt | SS | Plt | SS |
| Hgr Matl | Iron or Alum | | | | Iron or Brnz | | | |

12. Balance Adjuster

N=None E=EZ Bal Adjuster

| | | | | |
|---------------|-----|-----|-----|-----|
| Option #> | 1 | 2 | 3 | 4 |
| Eye Bolt Matl | Stl | Stl | Brs | Brs |
| Hdwr Matl | Plt | SS | Plt | SS |

13. Wire Entrance Head

See Span Wire One-Way for illustrations

If selected, will replace eyelet and CGB on style "C"

T=Tri-Stud F=Female M=Male

N=No WEH, eyelet+CGB on style "C"

X=No WEH, no eyelet, no CGB

14. Wire Entrance Head

Nut Package

1=1 Nut

2=Washer/Gasket/2Nuts

3=Washer/Gasket/Split Ring/2 Nuts

4=Lead Washer/2 Nuts

N=None X=Special

Nipples & Fittings

15. Nipple Material

F=Steel A=Aluminum

N=Not applicable to cast tri-stud

16. Fitting Material

F=Iron A=Alum G=Hot Dip Galv

17. Shurlock Method

1=Separate Ring, Plastic

2=Separate Ring, Alum

3=Separate Ring, Bronze

4=Integral to Fitting

18. Fitting Set Screws

N=Without Set Screws

Y=With Set Screws

19. Fitting Lock Nipple

F=Lock Nipple, Iron

A=Lock Nipple, Alum

B=Lock Nipple, Brass

N=All Thread with Nut, Iron

T=Tri-Stud (Alum fittings only)

S=Tri-Stud, SS washer

20. Fitting Closures

P=Plastic

A=Aluminum

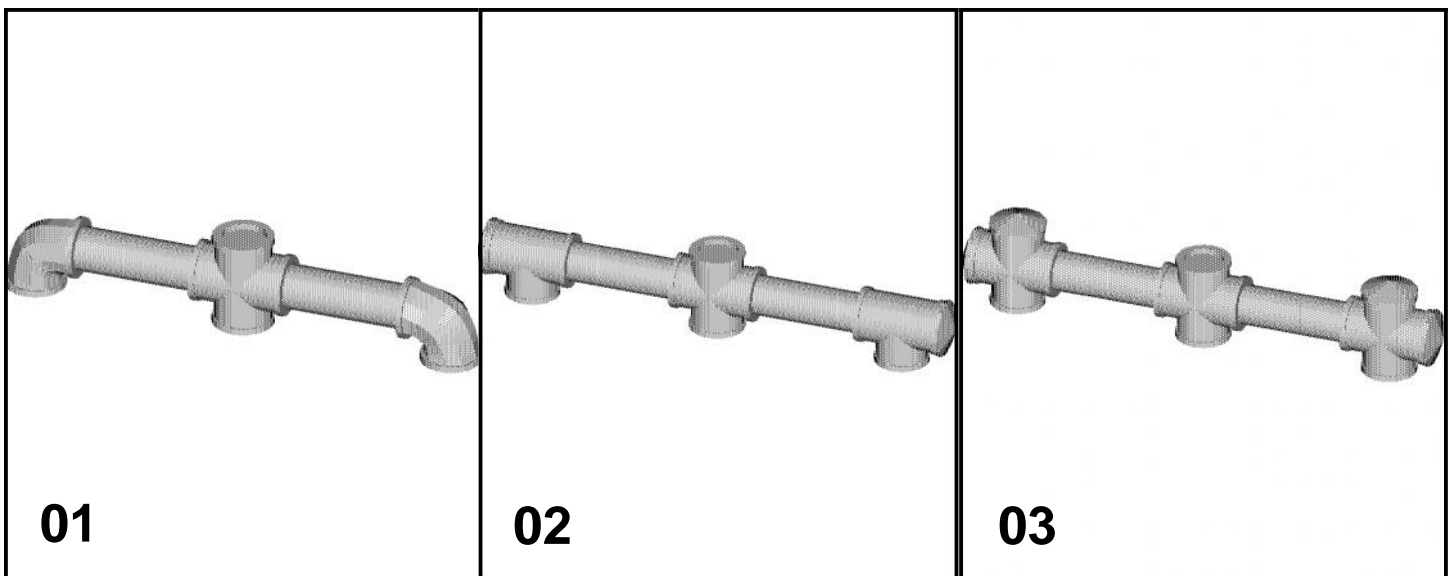
Note: Clusters may also be Mast Arm mounted. Order a cluster assembly and a mast arm assembly.

| | | | | | | | | | | | | | | | | | | | | | | | | | | |
|--------------------------|---|---|---|---|---|---|---|---|--|---|---|---|--|----|----|----|--|----|----|----|--|----|----|----|----|----|
| CLUST | - | | | | - | | | | | - | | | | | - | | | | | - | | | | | | |
| <i>Option Category</i> ➔ | | 1 | 2 | 3 | | 4 | 5 | 6 | | 7 | 8 | 9 | | 10 | 11 | 12 | | 13 | 14 | 15 | | 16 | 17 | 18 | 19 | 20 |

Configurations: Span Wire Clusters

Available Configuration Combinations:

| | Style A | | | Style B | | | Style C | | |
|-------|---------|--------|--------|---------|--------|--------|---------|--------|--------|
| | Top | Middle | Bottom | Top | Middle | Bottom | Top | Middle | Bottom |
| 00 | | | | X | | | | X | |
| 01 | X | X | | | X | | | | |
| 02 | X | X | | | X | | | | |
| 03 | X | X | | | X | | | | |
| 04,34 | X | X | | | X | | | | |
| 05,35 | X | X | | | X | | | | |
| 06,36 | X | X | | | X | | | | |
| 07 | | | | | | | X | | |
| 08 | | | | | | | X | | |
| 09 | X | X | | | X | | | | |
| 20 | | | | | | X | | | X |
| 21 | | | | | | X | | | X |
| 22 | | | | | | X | | | X |
| 23 | | | | | | X | | | X |
| 24 | | | X | | | | | | |
| 25 | | | X | | | | | | |
| 26 | | | X | | | | | | |
| 27 | | | | | | X | | | X |
| 28 | | | | | | X | | | X |



Configurations: Span Wire Clusters

