

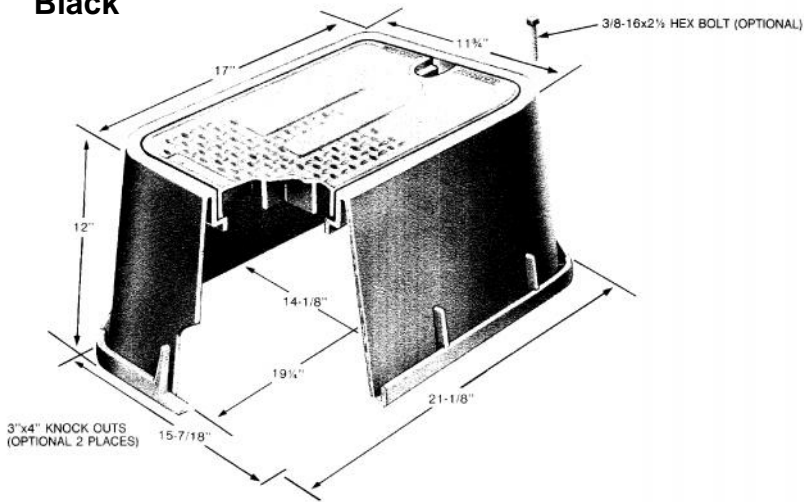
Junction Boxes

ABS Plastic Boxes

#1333

Wt. 10 lbs

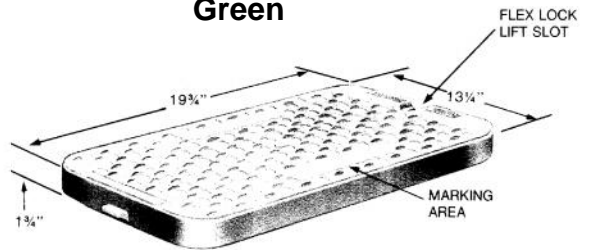
Black



#1334

Wt. 13 lbs

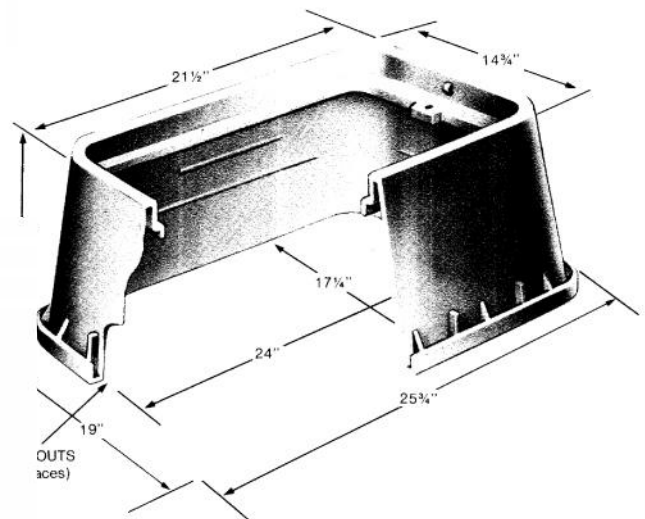
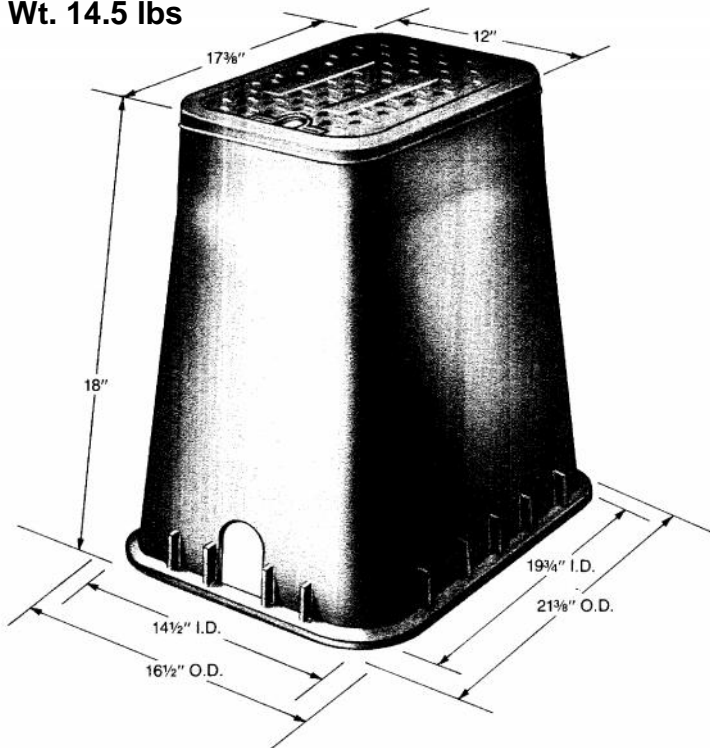
Green



#1763

Black/Green Cover

Wt. 14.5 lbs



Lid Legend: "Traffic"

'Penta' bolts for vandal resistance

Low Cost

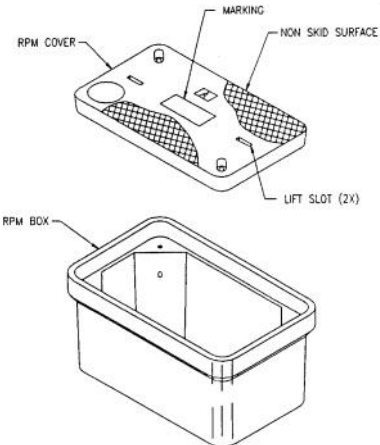
Excellent chemical resistance

High tensile and flexural strength

Not recommended for concrete or asphalt

Junction Boxes

Reinforced Polymer Concrete Boxes



General Purpose Boxes

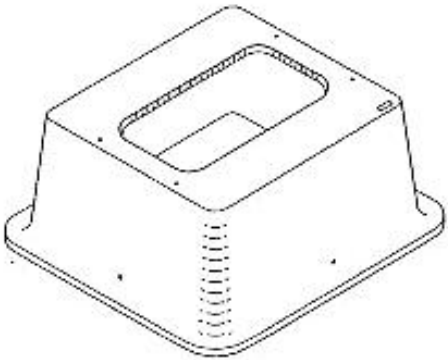
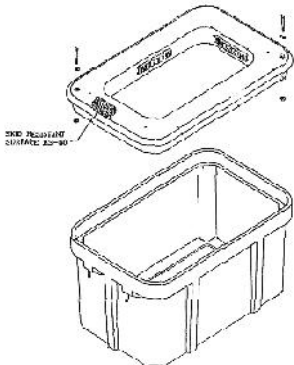
Lid Legend: "Danger High Voltage Traffic Signal"
 Lighter wt than concrete boxes, off white color
 Low Cost, High strength

Other logos
available

- Excellent chemical resistance**
- #6165 "A" Box (13"x24"x12"D) 105 lbs**
- #6164 "C" Box (17"x30"x12"D) 156 lbs**
- #6312 "D" Box (17"x30"x22"D) 195 lbs**

Special Purpose Boxes

- #7196 P44 Controller, Straight Wall (26"x44"x24"D) 411 lbs**
- #7639 P44 Controller, Straight Wall (40"x44"x15"D) 350 lbs**



- #7412 "Comm" (36"x36"x36"D) 588 lbs**
- #7194 "Comm" w/rack (24"x36"x24"D) 312 lbs**
- #7197 Battery (4) (17"x30"x18"D) 207 lbs**

